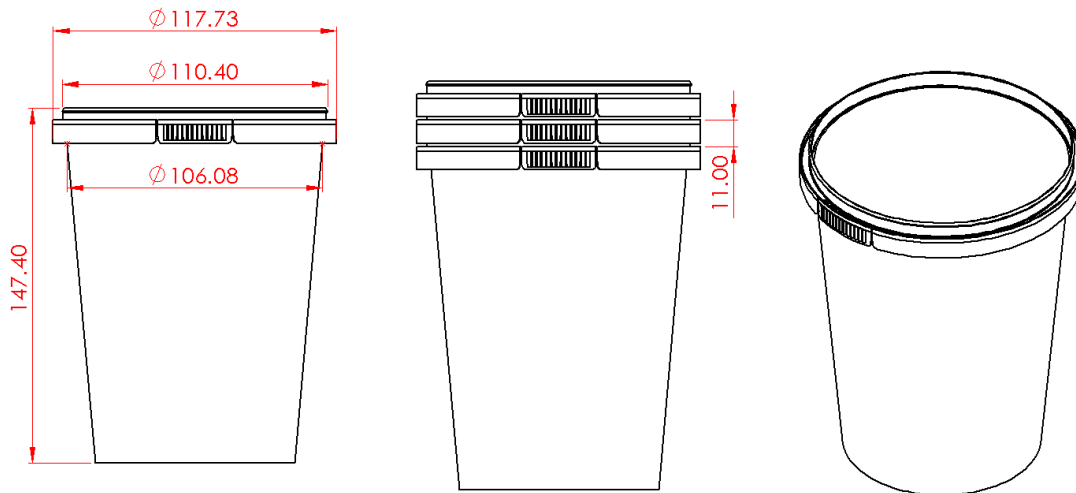


# Technical Data Sheet

## 108-945ml TE Pot P1010



<b>Profile:</b>	Round Conical	<b>Recycling No:</b>	5
<b>Tamper Evidence:</b>	Tamper evident break out tab	<b>Colours:</b>	Natural, Clear, White. other colours available
<b>Lid Style:</b>	Sealing Lid	<b>Decoration:</b>	IML
<b>Lid Options:</b>	108 SK L2006	<b>Food Safety:</b>	Manufactured using HACCP certified process
<b>Under Lid Volume:</b>	975ml	<b>No. Per Carton:</b>	408
<b>Raw Material:</b>	Block or Random Copolymer	<b>Carton Per Pallet:</b>	30

### Hot Filling:

The maximum fill temperature is 95° Celsius. Internal process trials should be undertaken to validate the viability of this product for its intended use.

### Freezing:

The standard resin used for natural coloured products will resist temperatures down to minus -5° Celsius. Deep freezing below this temperature will be subject to alternate resins upon request, the standard resin used for these products may become brittle at temperatures below 0° Celsius. Internal process trials should be undertaken to validate the viability of this product for its intended use.

### Re-Heating:

This product may be microwaved. Internal process trials should be undertaken to validate the viability of this product for its intended use.

### Shelf Life:

The compliance of the product to the technical specifications in this data sheet is guaranteed for 12 months after the date of delivery.

### Stacking:

**EMPTY:** Full cartons of product should be stacked no more than 5 high.

**FULL:** It is recommended that this product be packed into self-supporting trays or cardboard boxes. Internal process trials should be undertaken.

### Microwave & Dishwasher Safe:

Yes, Resins are dishwasher safe and are designed for reusability. For all situations internal trials should be instigated to assess the viability of the product for its intended use.

### Recycling:



All Packit Packaging products are recyclable, and should be disposed of responsibly in your kerbside recycling or at "don't forget it recycle it" collection points.

**ALL SPECIFICATIONS NOTED IN THE TECHNICAL DATA SHEET ARE SUBJECT TO REVISION WITHOUT NOTICE**