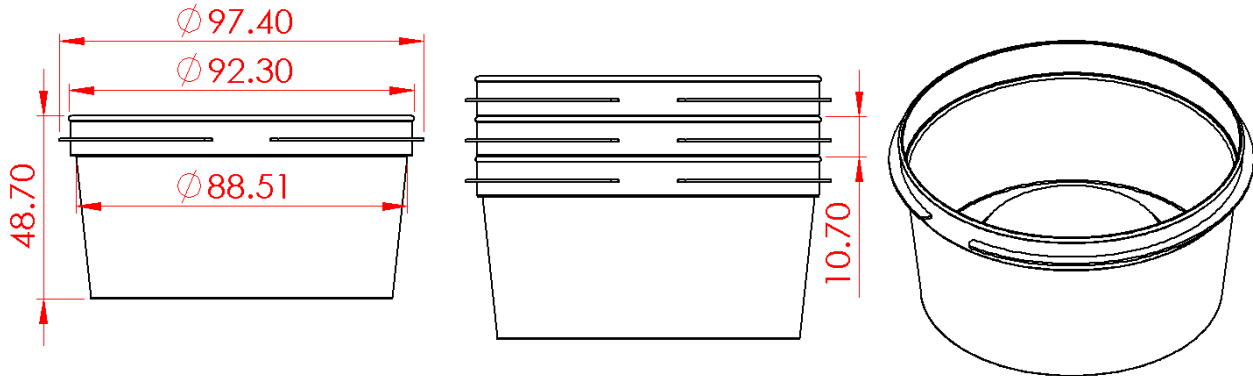


# Technical Data Sheet

## 87-150ml Non TE Pot P1045



|                          |                              |                           |  |
|--------------------------|------------------------------|---------------------------|--|
| <b>Profile:</b>          | Round Conical                | <b>Recycling No:</b>      | 5  |
| <b>Tamper Evidence:</b>  | Tamper evident break out tab | <b>Colours:</b>           | Natural, Clear, White. other colours available |
| <b>Lid Style:</b>        | Sealing Lid                  | <b>Decoration:</b>        | IML  |
| <b>Lid Options:</b>      | 87 SPL L2022                 | <b>Food Safety:</b>       | Manufactured using HACCP certified process     |
| <b>Under Lid Volume:</b> | 150ml                        | <b>No. Per Carton:</b>    | 600  |
| <b>Raw Material:</b>     | Block or Random Copolymer    | <b>Carton Per Pallet:</b> | 30   |

### Hot Filling:

The maximum fill temperature is 95° Celsius. Internal process trials should be undertaken to validate the viability of this product for its intended use.

### Freezing:

The standard resin used for natural coloured products will resist temperatures down to minus -5° Celsius. Deep freezing below this temperature will be subject to alternate resins upon request, the standard resin used for these products may become brittle at temperatures below 0° Celsius. Internal process trials should be undertaken to validate the viability of this product for its intended use.

### Re-Heating:

This product may be microwaved. Internal process trials should be undertaken to validate the viability of this product for its intended use.

### Shelf Life:

The compliance of the product to the technical specifications in this data sheet is guaranteed for 12 months after the date of delivery.

### Stacking:

**EMPTY:** Full cartons of product should be stacked no more than 5 high.

**FULL:** It is recommended that this product be packed into self-supporting trays or cardboard boxes. Internal process trials should be undertaken.

### Microwave & Dishwasher Safe:

Yes, Resins are dishwasher safe and are designed for reusability. For all situations internal trials should be instigated to assess the viability of the product for its intended use.

### Recycling:



All Packit Packaging products are recyclable, and should be disposed of responsibly in your kerbside recycling or at "don't forget it recycle it" collection points.

**ALL SPECIFICATIONS NOTED IN THE TECHNICAL DATA SHEET ARE SUBJECT TO REVISION WITHOUT NOTICE**